

MT23AK

High torque, low noise 2.3'' (56 mm) flange step motors

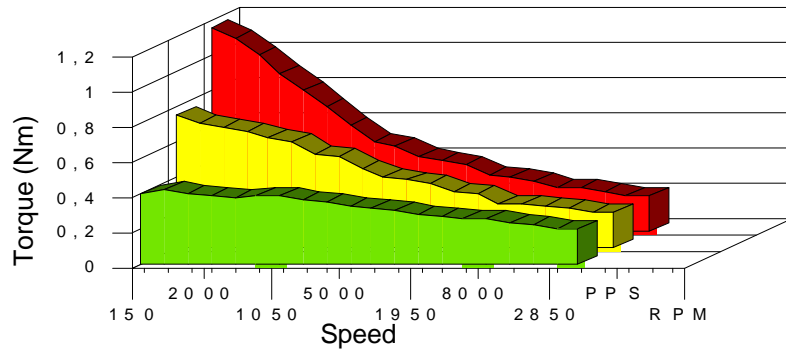
Specifications		MT23AK17		MT23AK22					MT23AK30		
		004M4V	015M4V	010M4V	015M4V	015B4	033M8	040M4V	010M4V	015B4V	033M8
Voltage	Vdc	16.0	3.3	5.0	5.1	5.1	2.1	1.2	5.2	3.6	2.9
Phase Current	A	0.4	1.5	1.0	1.5	1.5	3.3	4.0	1.0	1.5	3.3
Phase Resistance	Ohm $\pm 10\%$	40.0	2.2	5.0	3.4	3.4	0.64	0.28	5.2	4.2	0.89
Phase Inductance	mH $\pm 20\%$	160.0	6.0	10.0	6.4	6.4	1.2	0.77	22.0	16.0	1.7
Bipolar holding torque	Nm $\pm 10\%$	0.400	0.580	0.880	0.900	0.800	0.700	0.650	1.300	1.330	1.300
Rotor inertia	Kgcm ²	0.150	0.150	0.280	0.280	0.280	0.280	0.280	0.440	0.440	0.440
Detent torque	gcm	55	300	380	400	400	200	370	600	600	600
Step angle	°	1.8° $\pm 5\%$									
Front shaft diameter	mm	6.35									
Rear shaft diameter (option)	mm	6.35									
Operating temperature	°C	-20 ~ +50									
Insulation class	°C	B, 130									
Dimensions	mm	56x56x42		56x56x54					56x56x76		
Weight	Kg	0.450		0.680					1.050		

Note: Available also with different winding electrical ratings.

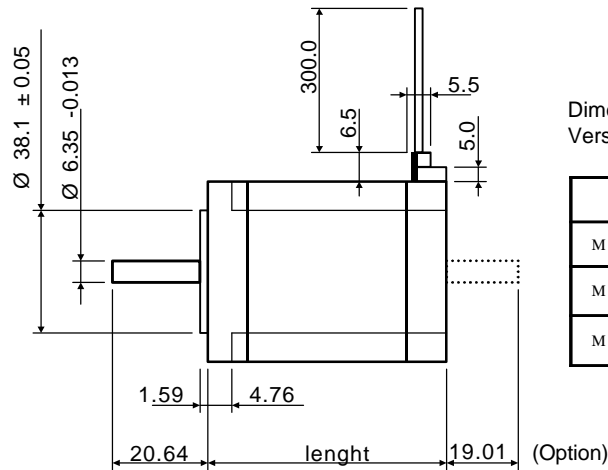
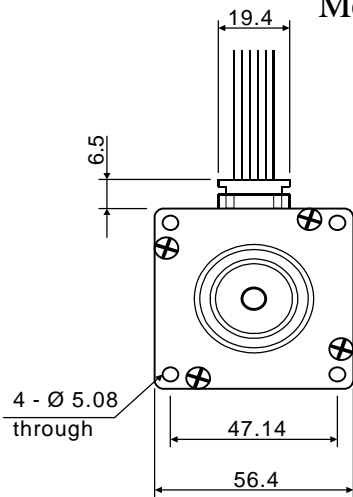
MT23AK

Torque diagrams

	MT23AK30
	MT23AK22
	MT23AK17



Mechanical specifications



Dimensions in mm
Versions with connector.

Model	Length
MT23AK17	42 mm max
MT23AK22	54 mm max
MT23AK30	76 mm max

Connections table

	Connections	Driver Terminal	Wires color
	Bipolar (4 leads w/ connector on the motor)	A	RED
		A -	YELLOW
		B	BLU
		B -	ORANGE
	Bipolar Parallel (8 leads motor)	A	RED & WHITE
		A -	YELLOW & BLACK
		B	GREEN & BROWN
		B -	BLU & ORANGE
	Bipolar Series (8 leads motor)	A	RED
		A -	YELLOW
		B	BROWN
		B -	ORANGE
		NONE	BLACK & WHITE
		NONE	GREEN

ITALY

EVER SNC DI ING. CALDI & C.
Via del Commercio, 2/4
Loc. San Grato, Z.I. - 26900 LODI (ITALY)
Tel.++39 0371 412318 - Fax++39 0371 412367
e-mail : infoever@everelettronica.it
web: www.everelettronica.it

GERMANY

Technologiezentrum - Europaplatz
D-52068 AACHEN
Tel.++49 (0)241 9631836 - Fax ++49 (0)241 9631835

